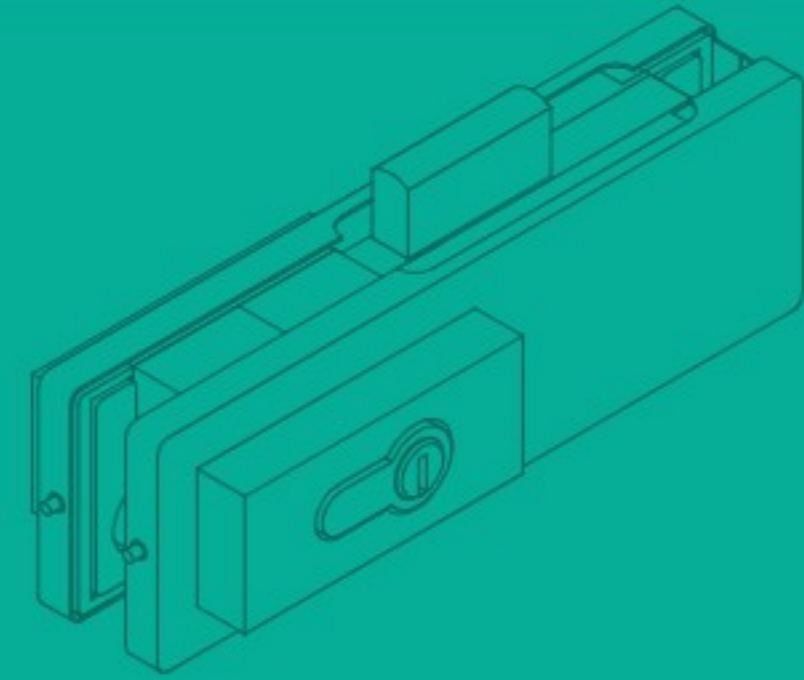




www.definehardware.in



GLASS ARCHITECTURAL HARDWARE SOLUTION

Factory :
DEFINE OVERSEAS PVT. LTD.
Rajkot. 360 004.
Phone.: +91 97277 61148
Email. : info@definehardware.in

Regional Office:
Define Middle East DWC-LLC
Dubai, UAE.
E-mail.: info@define.ae



Follow Us :

HIGHLIGHTS 2018-2019

www.definehardware.in



Define[®]
Innovative Insight-Inspire

1ST
INDIA
MANUFACTURER
GLASS ARCHITECTURAL HARDWARE SOLUTION



OUR MISSION:

Our mission is to provide quality product along with the best customer service with product guarantee. We are committed to provide satisfaction to each and every customer we serve.

OUR WAY OF WORK

Imagination paves way to innovation - followed with wisdom, we focus on thorough research and development on products. While designing the products, we value the opinion of reputed architects and interior designers, to ensure better quality, convenience with comfort and grace.

SUPERIOR QUALITY. WITH GREATER CONSISTENCY:

Surpassing expectation has its own pleasure and rewards. We, at Define always believed in the virtues of this simple dictum. Whether it is about designing our products or to create bonding with customers, we believe in surpassing expectations. Established in 2009, Based in Rajkot and one of the most rapidly growing industrial areas of Western India. Within a short span of time, with our dedicated efforts and streamlined expertise, we have earned a name as the leading manufacturer of glass hardware architectural products. We supply domestic as well as international products. Consistency and superior quality is what defines us in the market.

METHODOLOGY:

We are fully aware that the hardware architectural product market is full of competition and only way to stand exceptional is to ensure super quality at the most competitive prices. We give immense importance to the selection of raw material and ensure highest level of quality control. With skillful workforce on our side, we have setup a state-of-the-art manufacturing facility, to augment the expertise and convert the designs into excellent product. A go-getter sales force with sound technical expertise helps us to create strong bond with the customers, giving an edge to the brand and company.

Statement to build long term relationships with our customers and Clients and provide exceptional customer services by pursuing business through innovation and advanced technology.

To Provide quality services that exceeds the expectations of our esteemed customers and also to build long term relationships with our customers and clients and provide exceptional customer services by pursuing business through innovation and advanced technology. To be leader in the bathroom fitting industry by providing enhanced services, relationship and profitability.

Test Report & Certificate



TEST CERTIFICATE

Client: Define Middle East DMCC LLC
 P.O. Box: 300857, Dubai
 United Arab Emirates

Exovo Ref: A 708482 Issue 1
 Order No: Define
 Date Tested: 15/11/17
 Date Reported: 15/11/17

Contact: Ms. Neharika

Specification: ASTM B117-16

Description: Stainless Steel Shower / Edge for wall spray test
 Origin: Define India, Material Grade: 304/18
 Test Duration: 72 hours

Exovo Dubai job reference: 0104500

TEST DETAILS

Test Solution	Test Temperature (°C)	Collected Solution	Spotify Density (g/ml)
6% NaCl	33±0.2	PH K ₂ Cr ₂ O ₇ 1-2	1.029-1.031

Tested by: Manoj Kumar, Abu Dhabi

For and on authority of: Exovo Limited (Abu Dhabi)

A708482 3634 1

RAJKOT METLAB SERVICES
 Mechanical Testing Laboratory
 Survey, Testing, Planning, Execution

TEST REPORT

Client: Define Middle East DMCC LLC
 Order No: Define
 Date Tested: 15/11/17
 Date Reported: 15/11/17

Test Method: ASTM B117-16

Element	Result	Requirement
Chloride	0.000	0.000
Sulfide	0.000	0.000
Iron	0.000	0.000
Phosphorus	0.000	0.000
Carbon	0.000	0.000
Nickel	0.000	0.000
Manganese	0.000	0.000
Copper	0.000	0.000
Lead	0.000	0.000
Zinc	0.000	0.000
Aluminum	0.000	0.000
Chromium	0.000	0.000
Magnesium	0.000	0.000
Silicon	0.000	0.000
Vanadium	0.000	0.000
Niobium	0.000	0.000
Titanium	0.000	0.000
Antimony	0.000	0.000
Bismuth	0.000	0.000
Fluorine	0.000	0.000
Barium	0.000	0.000
Strontium	0.000	0.000
Cadmium	0.000	0.000
Mercury	0.000	0.000
Thallium	0.000	0.000
Lead	0.000	0.000
Iron	0.000	0.000
Nickel	0.000	0.000
Copper	0.000	0.000
Aluminum	0.000	0.000
Chromium	0.000	0.000
Manganese	0.000	0.000
Silicon	0.000	0.000
Vanadium	0.000	0.000
Niobium	0.000	0.000
Titanium	0.000	0.000
Antimony	0.000	0.000
Bismuth	0.000	0.000
Fluorine	0.000	0.000
Barium	0.000	0.000
Strontium	0.000	0.000
Cadmium	0.000	0.000
Mercury	0.000	0.000
Thallium	0.000	0.000
Lead	0.000	0.000
Iron	0.000	0.000
Nickel	0.000	0.000
Copper	0.000	0.000
Aluminum	0.000	0.000
Chromium	0.000	0.000
Manganese	0.000	0.000
Silicon	0.000	0.000
Vanadium	0.000	0.000
Niobium	0.000	0.000
Titanium	0.000	0.000
Antimony	0.000	0.000
Bismuth	0.000	0.000
Fluorine	0.000	0.000
Barium	0.000	0.000
Strontium	0.000	0.000
Cadmium	0.000	0.000
Mercury	0.000	0.000
Thallium	0.000	0.000
Lead	0.000	0.000

unitech LABORATORIES SERVICES
 Survey, Testing, Planning, Execution

TEST REPORT

Client: Define Middle East DMCC LLC
 Order No: Define
 Date Tested: 15/11/17
 Date Reported: 15/11/17

Test Method: ASTM B117-16

Element	Result	Requirement
Chloride	0.000	0.000
Sulfide	0.000	0.000
Iron	0.000	0.000
Phosphorus	0.000	0.000
Carbon	0.000	0.000
Nickel	0.000	0.000
Copper	0.000	0.000
Aluminum	0.000	0.000
Chromium	0.000	0.000
Manganese	0.000	0.000
Silicon	0.000	0.000
Vanadium	0.000	0.000
Niobium	0.000	0.000
Titanium	0.000	0.000
Antimony	0.000	0.000
Bismuth	0.000	0.000
Fluorine	0.000	0.000
Barium	0.000	0.000
Strontium	0.000	0.000
Cadmium	0.000	0.000
Mercury	0.000	0.000
Thallium	0.000	0.000
Lead	0.000	0.000
Iron	0.000	0.000
Nickel	0.000	0.000
Copper	0.000	0.000
Aluminum	0.000	0.000
Chromium	0.000	0.000
Manganese	0.000	0.000
Silicon	0.000	0.000
Vanadium	0.000	0.000
Niobium	0.000	0.000
Titanium	0.000	0.000
Antimony	0.000	0.000
Bismuth	0.000	0.000
Fluorine	0.000	0.000
Barium	0.000	0.000
Strontium	0.000	0.000
Cadmium	0.000	0.000
Mercury	0.000	0.000
Thallium	0.000	0.000
Lead	0.000	0.000

NSIC Technical Services Centre - Rajkot
 Survey, Testing, Planning, Execution

TEST REPORT

Client: Define Middle East DMCC LLC
 Order No: Define
 Date Tested: 15/11/17
 Date Reported: 15/11/17

Test Method: ASTM B117-16

Element	Result	Requirement
Chloride	0.000	0.000
Sulfide	0.000	0.000
Iron	0.000	0.000
Phosphorus	0.000	0.000
Carbon	0.000	0.000
Nickel	0.000	0.000
Copper	0.000	0.000
Aluminum	0.000	0.000
Chromium	0.000	0.000
Manganese	0.000	0.000
Silicon	0.000	0.000
Vanadium	0.000	0.000
Niobium	0.000	0.000
Titanium	0.000	0.000
Antimony	0.000	0.000
Bismuth	0.000	0.000
Fluorine	0.000	0.000
Barium	0.000	0.000
Strontium	0.000	0.000
Cadmium	0.000	0.000
Mercury	0.000	0.000
Thallium	0.000	0.000
Lead	0.000	0.000
Iron	0.000	0.000
Nickel	0.000	0.000
Copper	0.000	0.000
Aluminum	0.000	0.000
Chromium	0.000	0.000
Manganese	0.000	0.000
Silicon	0.000	0.000
Vanadium	0.000	0.000
Niobium	0.000	0.000
Titanium	0.000	0.000
Antimony	0.000	0.000
Bismuth	0.000	0.000
Fluorine	0.000	0.000
Barium	0.000	0.000
Strontium	0.000	0.000
Cadmium	0.000	0.000
Mercury	0.000	0.000
Thallium	0.000	0.000
Lead	0.000	0.000

Test Report & Certificate

Certificate

Standard: ISO 9001:2015

Certificate Registr. No: 85 100 001 15080

Certificate Holder: **Define**
 Divine Overseas India
 Survey No. 20, Plot No. 24, Vavdi Industrial Estate,
 Near Poonam Dumper, Rajkot - Gondal NH - 27,
 Rajkot - 360 004, Gujarat, India.

Scope: Design, Development and Manufacture of Architectural Hardware Products like Spider Fittings & Roulter Fittings, Glass Sliding, Folding System, Patch Fittings and Door Pull Handles and Mortise Handles, Railing, Glass Shower Cubical and Automatic Sensor Door.

Validity: Proof has been furnished by means of an audit that the requirements of ISO 9001:2008 are met. The due date for all future audits is 21 - 02 (dd.mm). The certificate is valid from 2016-04-06 until 2018-09-14.

Signature

Bangalore 2016-04-06

The Certification Body of TÜV Rheinland (India) Pvt. Ltd.

The validity of this certificate is subject to timely completion of Surveillance audits as agreed in the Contract. The validity of the Certificate can be verified under www.tuv.com with the Verification No. 810000017

ON: L102016188P1020000



DEFINE MANUFACTURING UNIT



WE FOCUS ON YOUR NEEDS

Your requirements are our top priority. We do everything to understand what motivates you as our customers, partners and users. To develop solutions that do everything they promise to do. And that do not just meet your expectations, but exceed them.



FACING CHALLENGES WITH DETERMINATION

We are constantly seeking new ways to develop our access solutions. To do this we face up to new challenges and seek solutions that deliver genuine added value for our customers and users.



SHAPING THE FUTURE THROUGH CURIOSITY

Progress is driven by curiosity. That is why we ask questions, research and recognize trends, always looking ahead. This translates into products, solutions and services that help our customers on their path to the future and help make access smarter and more secure.



OUR PERFORMANCE FOR YOUR GOALS

We have a clear goal your satisfaction. We maintain high standards when it comes to security, quality and reliability, so with our products, solutions and services, you will know you are in good hands.



EARNING YOUR TRUST

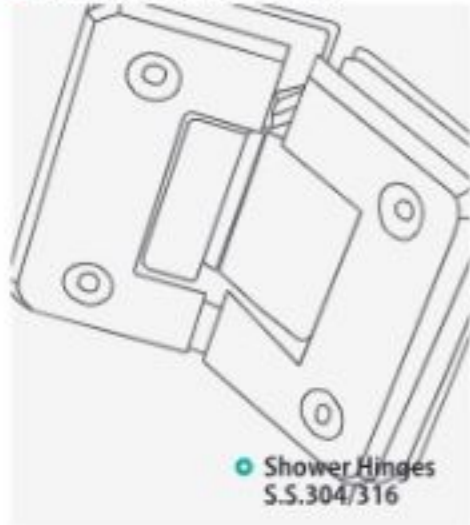
We stand for reliability. We strive to help our customers feel good about having a trusted partner on their side at all times. This is reflected in our products, solutions and services.

INDEX





● Frameless Shower Fittings



● Shower Hinges
S.S.304/316



DF-SH-11
(SS/PSS)



DF-SH-12
(SS/PSS)



DF-SH-13
(SS/PSS)



DF-SH-14
(SS/PSS)



DF-SH-15
(SS/PSS)



DF-SH-16
(SS/PSS)



DF-SH-17
(SS/PSS)

● Frameless Shower Fittings



● Shower Hinges
S.S.304/316



DF-SHB-18
(PSS/SS)



DF-SHB-19
(PSS/SS)



DF-SHB-20
(PSS/SS)



DF-SHB-21
(PSS/SS)



DF-SHB-22
(PSS/SS)

● Frameless Shower Fittings



● Shower Hinges
Brass



DF-BSH-11
(SS/PSS)



DF-BSH-12
(SS/PSS)



DF-BSH-13
(SS/PSS)



DF-BSH-14
(SS/PSS)

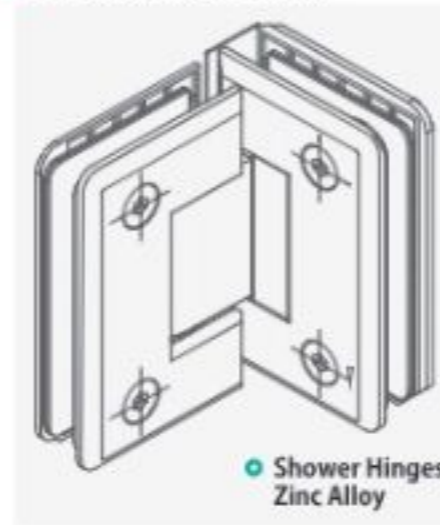


DF-BSH-15
(SS/PSS)



DF-BSH-16
(SS/PSS)

● Frameless Shower Fittings



● Shower Hinges
Zinc Alloy



DF-ZSH-11
(SS/PSS)



DF-ZSH-12
(SS/PSS)



DF-ZSH-13
(SS/PSS)



DF-ZSH-14
(SS/PSS)

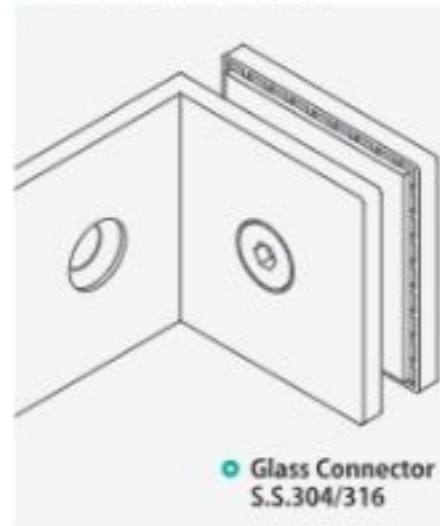


DF-ZSH-15
(SS/PSS)



DF-ZSH-16
(SS/PSS)

● Frameless Shower Fittings



● Glass Connector
S.S.304/316



DF-GC-01
(SS/PSS)



DF-GC-02
(SS/PSS)



DF-GC-03
(SS/PSS)



DF-GC-04
(SS/PSS)



DF-GC-05
(SS/PSS)



DF-GC-06
(SS/PSS)



DF-GC-07
(SS/PSS)



DF-GC-08
(SS/PSS)



DF-GC-09
(SS/PSS)



DF-GC-11
(SS/PSS)



DF-GC-12
(SS/PSS)

● **Frameless Shower Fittings**



● **Sheet Metal Glass Connector 304/316**


			
DF-SMGC-111 (SSS/PSS)	DF-SMGC-112 (SSS/PSS)	DF-SMGC-113 (SSS/PSS)	DF-SMGC-114 (SSS/PSS)
			
DF-SMGC-115 (SSS/PSS)	DF-SMGC-116 (SSS/PSS)	DF-SMGC-117 (SSS/PSS)	

● **Frameless Shower Fittings**





● **Shower Headers Brass/S.S.304/316**

			
DF-SB-01 Ø19 / 25 mm Pipe (SSS/PSS)	DF-SB-02 Ø19 / 25 mm Pipe (SSS/PSS)	DF-SB-03 Ø19 / 25 mm Pipe (SSS/PSS)	DF-SB-04 Ø19 / 25 mm Pipe (SSS/PSS)
			
DF-SB-05 Ø19 / 25 mm Pipe (SSS/PSS)	DF-SB-06 Ø19 / 25 mm Pipe (SSS/PSS)		



● **Shower Cubicle Glass Handle S.S.304/316**

	
DF-SCH-06 Ø19 / 25 mm Pipe (SSS/PSS)	DF-SCH-07 Ø20 / 25 mm Pipe (SSS/PSS)

● **Frameless Shower Fittings**



● **Shower Glass Knob S.S.304/316**

			
DF-SKB-02 (SSS/PSS)	DF-SKB-05 (SSS/PSS)	DF-SKB-06 (SSS/PSS)	DF-SKB-07 (SSS/PSS)
			
DF-SKB-08 (SSS/PSS)	DF-SKB-09 (SSS/PSS)		

● **Frameless Shower Fittings**



● **Glass Sealing Profile (PVC - 2.2 Meter)**

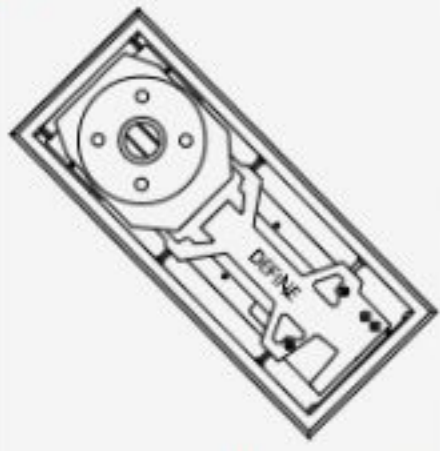
			
DF-GP-01 (Transparent)	DF-GP-02 (Transparent)	DF-GP-03 (Transparent)	DF-GP-04 (Transparent)
			
DF-GP-05 (Transparent)	DF-GP-06 (Transparent)	DF-GP-07 (Transparent)	DF-GP-08 (Transparent)



DF-GP-09
(Transparent)



• Glass Door Fittings



• Floor Springs



DF-FS-604 (SS) DF-FS-904 (SS) DF-FS-1040 (SS) DF-FS-2040 (SS)



DF-FS-3040 (SS) DF-FS-3045 (SS) DF-FS-1041-TOP PIVOT DF-FS-1041-BOTTOM ARM

• Glass Door Fittings

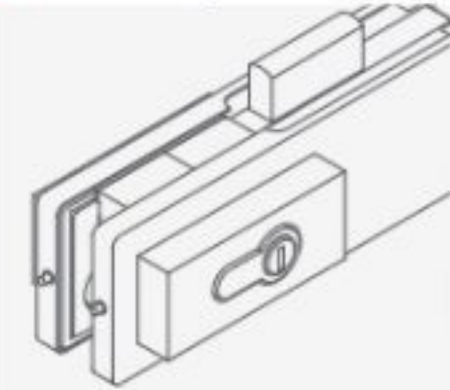


• Hydraulic Patch Fittings



DF-HPF-90 (SS/PS) DF-HPF-90 C (SS/PS) DF-HPF-91

• Glass Door Fittings



• Patch Fittings Aluminum Alloy Body And Cover Plate S.S. 304



DF-PF-101 (SS/PS) DF-PF-202 (SS/PS) DF-PF-303 (SS/PS) DF-PF-303S (SS/PS)

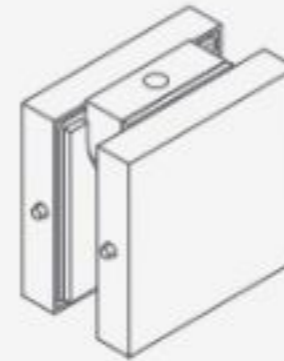


DF-PF-404 (SS/PS) DF-PF-505 (SS/PS) DF-PF-606 (SS/PS) DF-PF-707R (SS/PS)



DF-PF-707L (SS/PS) DF-PF-808 (SS/PS) DF-PF-909 (SS/PS) DF-PF-1010 (SS/PS)

• Glass Door Fittings



• Patch Fittings Aluminum Alloy Body And Cover Plate S.S. 304



DF-PF-64 (SS/PS) DF-PF-64 ES (SS/PS) DF-PF-65 (SS/PS) DF-PF-66 (SS/PS)



DF-PF-68 (SS/PS)

• Glass Door Fittings



• Point Patch Fittings S.S. 304/316



DF-PPF-222 (SS/PS) DF-PPF-223 (SS/PS) DF-PPF-224 (SS/PS)

• Glass Door Fittings



• Solid Patch Fittings S.S. 304



DF-PF-121 (SS/PS) DF-PF-122 (SS/PS) DF-PF-123 (SS/PS) DF-PF-123 S (SS/PS)



DF-PF-124 (SS/PS) DF-PF-125 (SS/PS) DF-PF-126 (SS/PS) DF-PF-127 R (SS/PS)



DF-PF-127 L (SS/PS) DF-PF-128 (SS/PS) DF-PF-129 (SS/PS)



● Glass Door Handle



● Pull Handles
S.S.304/316 (Premium Series)

DF-PH-01
(SSS/PSS)

DF-PH-02
(SSS/PSS)

DF-PH-03
(SSS/PSS)

DF-PH-04
(SSS/PSS)



DF-PH-05
(SSS/PSS)

DF-PH-06
(SSS/PSS)

DF-PH-07
(SSS/PSS)

DF-PH-09
(SSS/PSS)



DF-PH-10
(SSS/PSS)

DF-PH-11
(SSS/PSS)

DF-GBR-01
(SSS/PSS)

DF-PH-08
(SSS/PSS)

DF-PH-08 S
(SSS/PSS)

● Glass Facadism Fittings S.S. 316 (200mm)



● Spider Fittings
S.S. 316 (200mm)

DF-01
(SSS/PSS)

DF-02
(SSS/PSS)

DF-03
(SSS/PSS)

DF-04
(SSS/PSS)



DF-05
(SSS/PSS)

DF-06
(SSS/PSS)

DF-07
(SSS/PSS)

DF-08
(SSS/PSS)



DF-09
(SSS/PSS)

DF-10
(SSS/PSS)

DF-11
(SSS/PSS)

DF-12
(SSS/PSS)

DF-13
(SSS/PSS)

● Glass Facadism Fittings S.S.316 (220mm)



● Spider Fittings
S.S.316 (220mm)

DF-SF-220
(SSS/PSS)

DF-SF-221
(SSS/PSS)

DF-SF-222
(SSS/PSS)

DF-SF-223
(SSS/PSS)



DF-SF-224
(SSS/PSS)

DF-SF-225
(SSS/PSS)

DF-SF-226
(SSS/PSS)

DF-SFP
(SSS/PSS)

● Glass Facadism Fittings S.S.316 (250mm)



● Spider Fittings
S.S.316 (250mm)

DF-PS-250 A
(SSS/PSS)

DF-PS-250 B
(SSS/PSS)

DF-PS-250 C
(SSS/PSS)

DF-PS-250 D
(SSS/PSS)



DF-FS-250 A
(SSS/PSS)

DF-FS-250 B
(SSS/PSS)

DF-FS-250 C
(SSS/PSS)

DF-FS-250 D
(SSS/PSS)



DF-FS-250 E
(SSS/PSS)

● Glass Facadism Fittings S.S.316 (300mm)



● Spider Fittings S.S.316 (300mm)

DF-PS-300 A
(SSS/PSS)

DF-PS-300 B
(SSS/PSS)

DF-PS-300 C
(SSS/PSS)

DF-PS-300 D
(SSS/PSS)



DF-FS-300 A
(SSS/PSS)

DF-FS-300 B
(SSS/PSS)

DF-FS-300 C
(SSS/PSS)

DF-FS-300 D
(SSS/PSS)

DF-FS-300 E
(SSS/PSS)

• Glass Facadism Fittings



DF-AR-01
(SSS/PSS)

DF-CR-02
(SSS/PSS)

DF-DR-03
(SSS/PSS)

DF-FR-04
(SSS/PSS)

• Routers
S.S.304 & S.S.316



DF-RS-05
(SSS/PSS)
Stud With M.S. Base

DF-RS-06 S
(SSS/PSS)
Stud With S.S. 304 Base

DF-FB-06
(SSS/PSS)

DF-FBR-07
(SSS/PSS)



DF-FC-02
(SSS/PSS)

DF-FC-07
(SSS/PSS)

DF-FC-10
(SSS/PSS)

DF-CR-24
(SSS/PSS)

• Glass Facadism Fittings



DFC-TR-001

DFC-TR-002

• Tension Rod

• Glass Facadism Fittings



• Splice Plate
S.S.304/316

DF-SP-200
(SSS/PSS)

DF-SP-250
(SSS/PSS)

DF-SP-300
(SSS/PSS)

DF-SP-350
(SSS/PSS)

DF-SP-400
(SSS/PSS)

• Glass Facadism Fittings



• Fin Plate
S.S.304/316

DF-FP-200
(SSS/PSS)

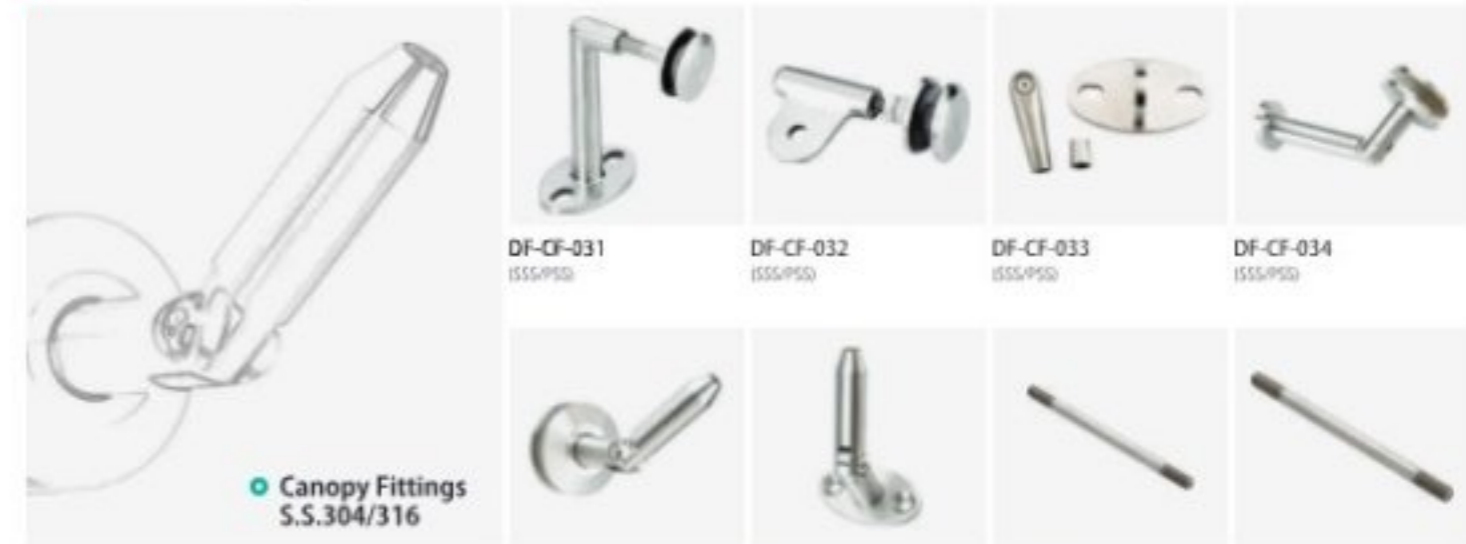
DF-FP-250
(SSS/PSS)

DF-FP-300
(SSS/PSS)

DF-FP-350
(SSS/PSS)

DF-FP-400
(SSS/PSS)

• Glass Facadism Fittings



• Canopy Fittings
S.S.304/316

DF-CF-031
(SSS/PSS)

DF-CF-032
(SSS/PSS)

DF-CF-033
(SSS/PSS)

DF-CF-034
(SSS/PSS)

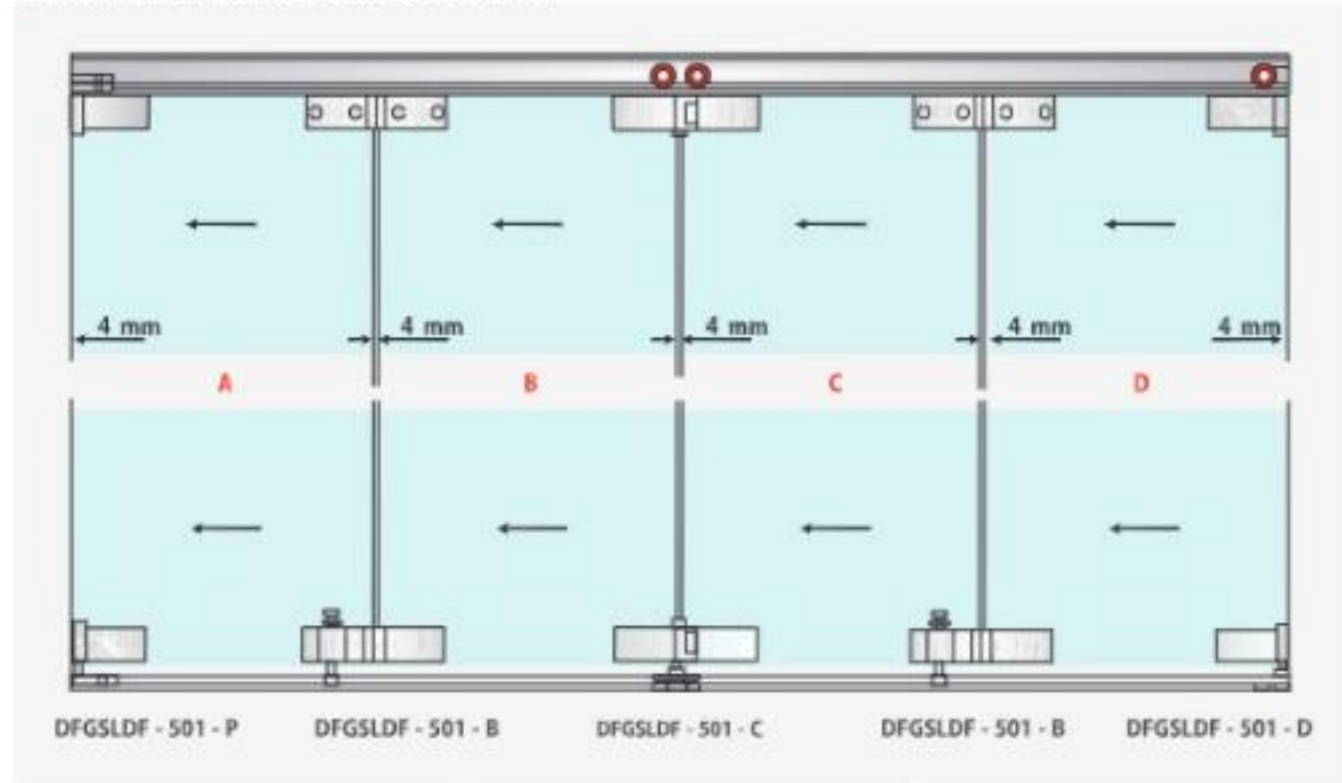
DF-CF-035
(SSS/PSS)

DF-CF-036
(SSS/PSS)

DF-CF-037
(SSS/PSS) Rod 10mm

DF-CF-038
(SSS/PSS) Rod 10mm

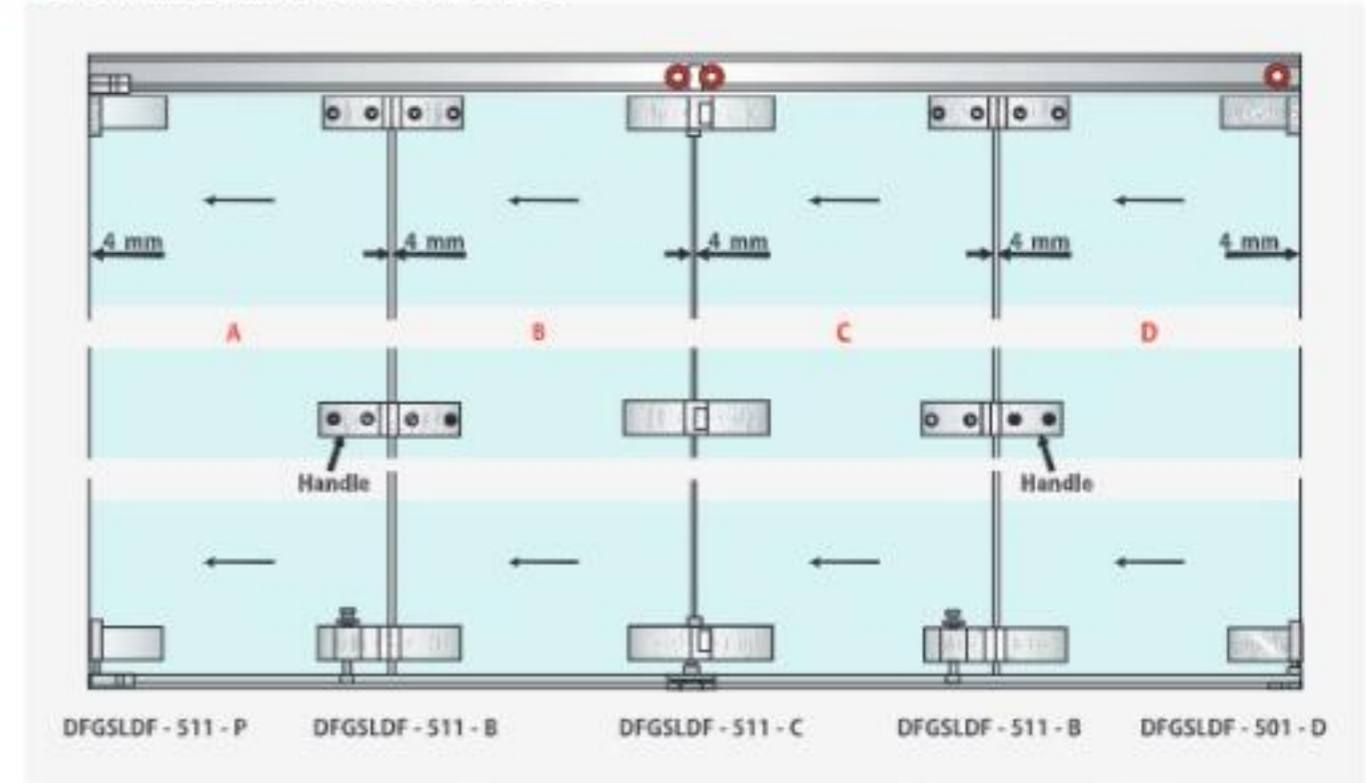
● Glass Sliding & Folding System - 501 P / S.S. 304



PRODUCT	DFGSLDF-501-P	DFGSLDF-501-B	DFGSLDF-501-C	DFGSLDF-501-D	DFGSLDF-501-S
For 2 Glass Panel	01 Set	01 Set	-	01 Set	As Per Optional
For 3 Glass Panel	01 Set	01 Set	01 Set	-	As Per Optional
For 4 Glass Panel	01 Set	02 Set	01 Set	01 Set	As Per Optional
For 5 Glass Panel	01 Set	02 Set	02 Set	-	As Per Optional
For 6 Glass Panel	01 Set	03 Set	02 Set	01 Set	As Per Optional

Order Subject To Availability

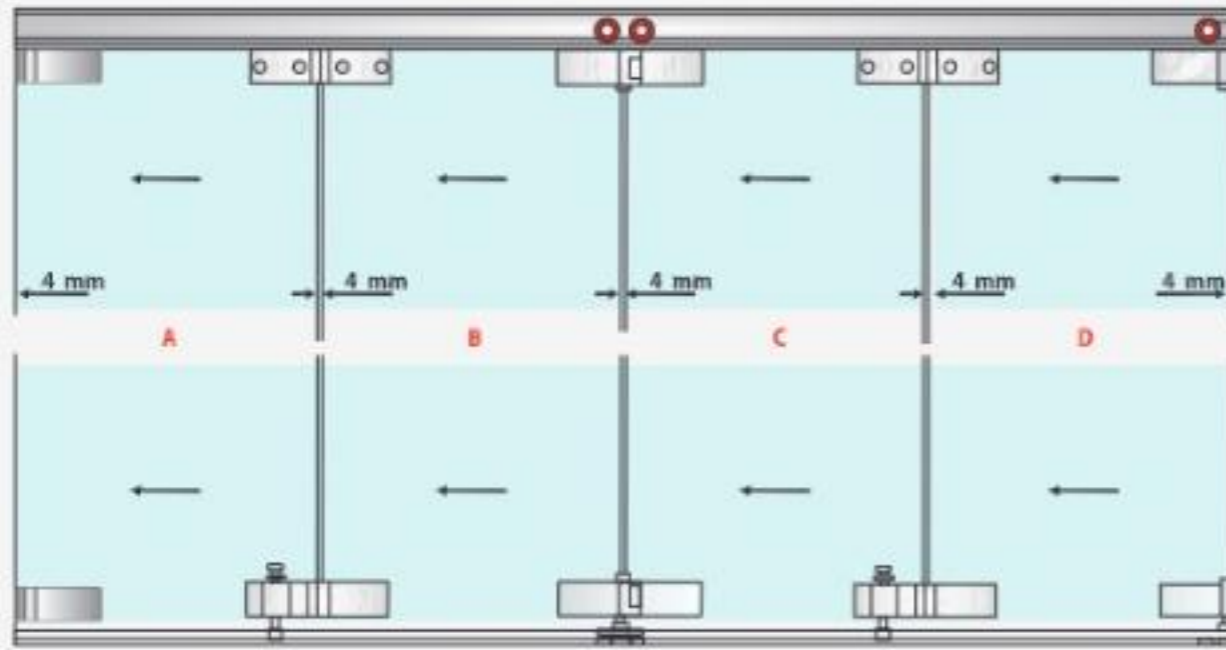
● Glass Sliding & Folding System - 511 P / S.S. 304



PRODUCT	DFGSLDF-511-P	DFGSLDF-511-B	DFGSLDF-511-C	DFGSLDF-511-D	DFGSLDF-511-S
For 2 Glass Panel	01 Set	01 Set	-	01 Set	As Per Optional
For 3 Glass Panel	01 Set	01 Set	01 Set	-	As Per Optional
For 4 Glass Panel	01 Set	02 Set	01 Set	01 Set	As Per Optional
For 5 Glass Panel	01 Set	02 Set	02 Set	-	As Per Optional
For 6 Glass Panel	01 Set	03 Set	02 Set	01 Set	As Per Optional

Order Subject To Availability

● Glass Sliding & Folding System - 501 H / S.S. 304



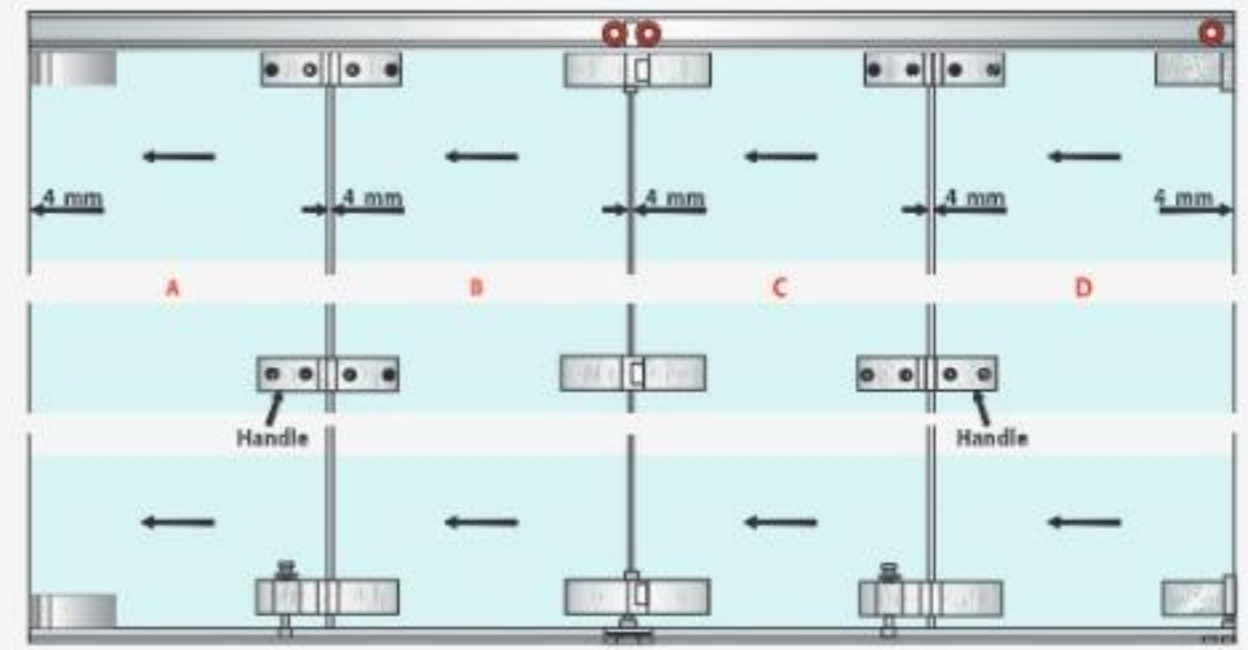
DFGSLDF - 501 - H DFGSLDF - 501 - B DFGSLDF - 501 - C DFGSLDF - 501 - B DFGSLDF - 501 - D



PRODUCT	DFGSLDF - 501 H	DFGSLDF - 501 B	DFGSLDF - 501 C	DFGSLDF - 501 D	DFGSLDF-501-S
For 2 Glass Panel	01 Set	01 Set	-	01 Set	As Per Optional
For 3 Glass Panel	01 Set	01 Set	01 Set	-	As Per Optional
For 4 Glass Panel	01 Set	02 Set	01 Set	01 Set	As Per Optional
For 5 Glass Panel	01 Set	02 Set	02 Set	-	As Per Optional
For 6 Glass Panel	01 Set	03 Set	02 Set	01 Set	As Per Optional

Order Subject To Availability

● Glass Sliding & Folding System - 511 H / S.S. 304



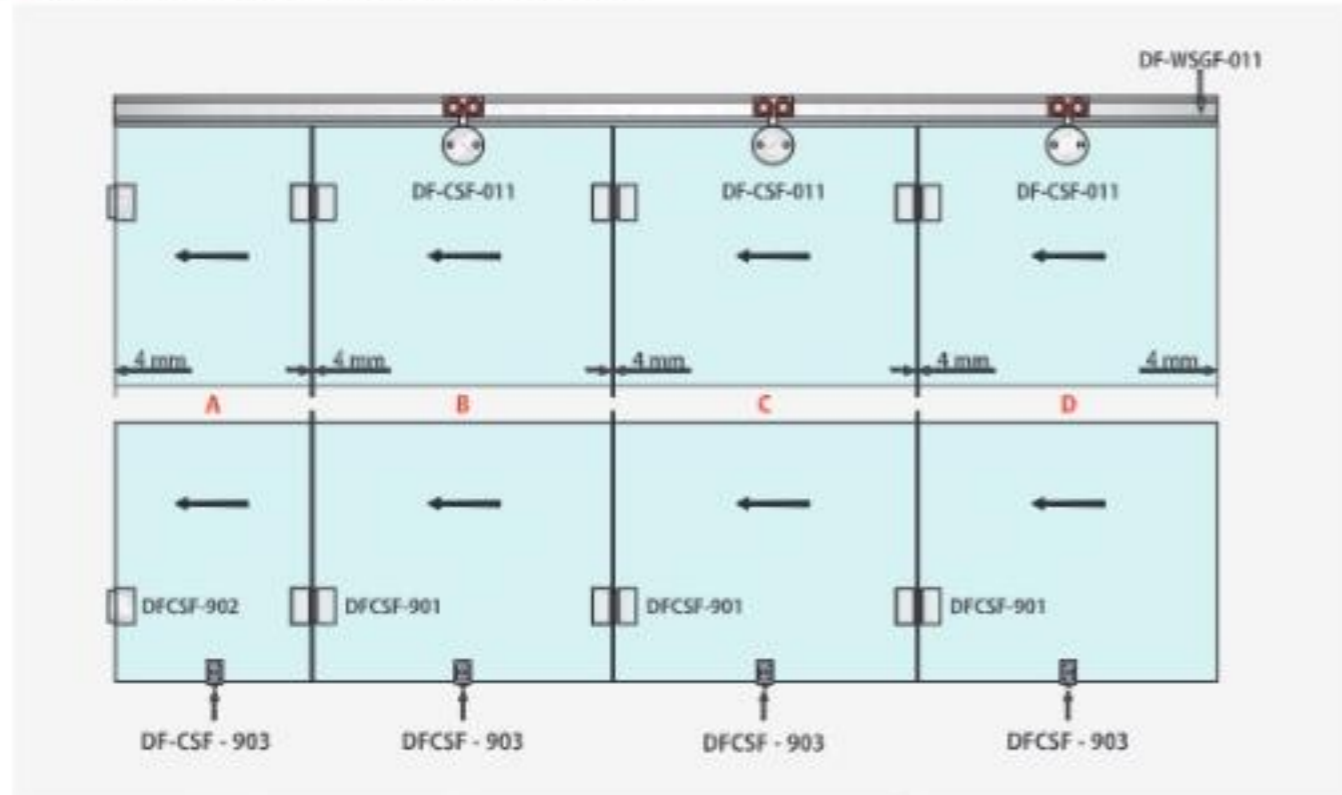
DFGSLDF - 511 - H DFGSLDF - 511 - B DFGSLDF - 511 - C DFGSLDF - 511 - B DFGSLDF - 501 - D



PRODUCT	DFGSLDF - 511 H	DFGSLDF - 511 B	DFGSLDF - 511 C	DFGSLDF - 501 D	DFGSLDF-501-S
For 2 Glass Panel	01 Set	01 Set	-	01 Set	As Per Optional
For 3 Glass Panel	01 Set	01 Set	01 Set	-	As Per Optional
For 4 Glass Panel	01 Set	02 Set	01 Set	01 Set	As Per Optional
For 5 Glass Panel	01 Set	02 Set	02 Set	-	As Per Optional
For 6 Glass Panel	01 Set	03 Set	02 Set	01 Set	As Per Optional

Order Subject To Availability

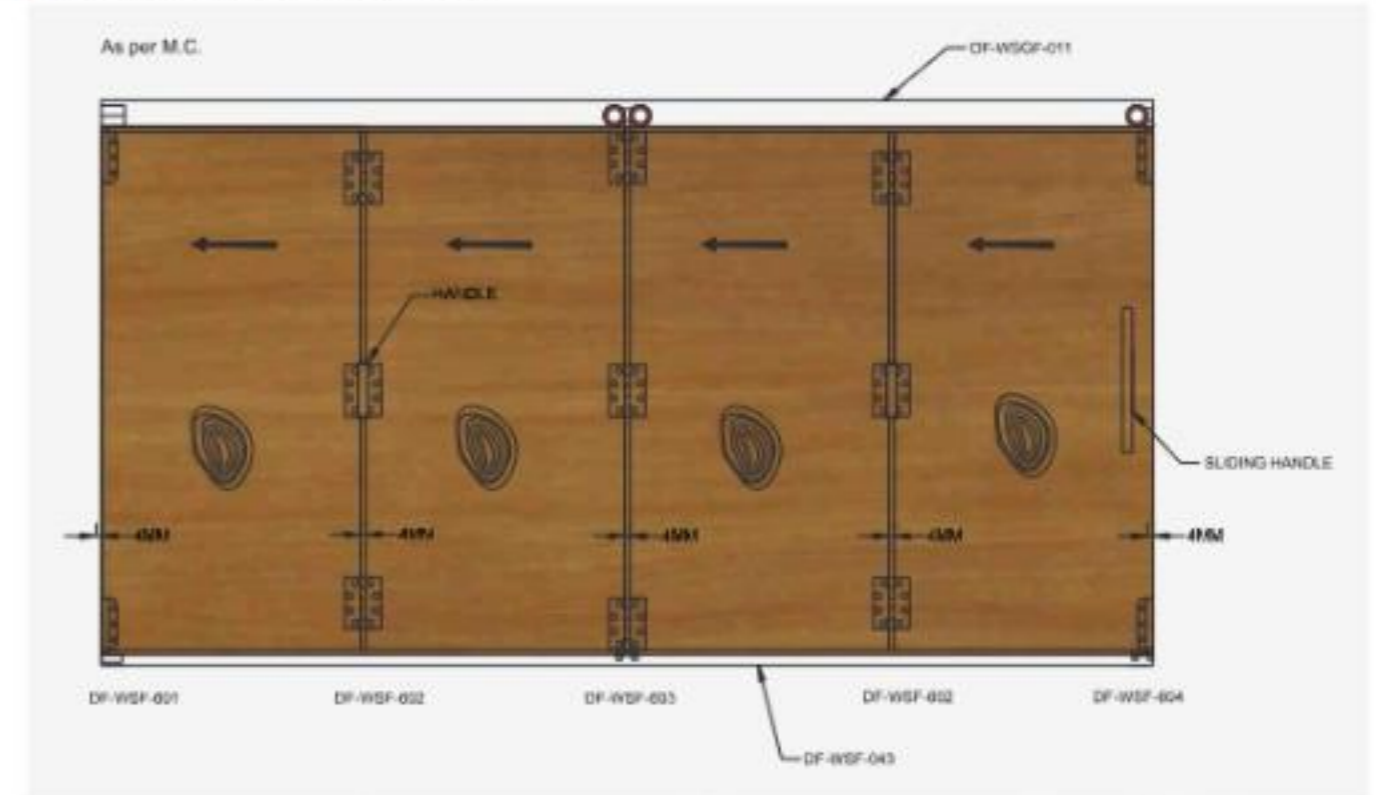
● Glass Center Sliding & Folding System - 901 P / S.S. 304



PRODUCT					
CODE	DF-CSF-011	DF-CSF-901	DF-CSF-902	DF-CSF-903	DF-CSF-904
For 2 Glass Panel	01 Set	01 Set	01 Set	As Per Required	As Per Required
For 3 Glass Panel	02 Set	02 Set	01 Set	As Per Required	As Per Required
For 4 Glass Panel	03 Set	03 Set	01 Set	As Per Required	As Per Required
For 5 Glass Panel	04 Set	04 Set	02 Set	As Per Required	As Per Required
For 6 Glass Panel	05 Set	05 Set	02 Set	As Per Required	As Per Required

Order Subject To Availability

● Wooden Sliding and Folding System - 601



PRODUCT				
CODE	DF-WSF-601	DF-WSF-602	DF-WSF-603	DF-WSF-604
For 2 Glass Panel	01 Set	01 Set	-	01 Set
For 3 Glass Panel	01 Set	01 Set	01 Set	-
For 4 Glass Panel	01 Set	02 Set	01 Set	01 Set
For 5 Glass Panel	01 Set	02 Set	02 Set	-
For 6 Glass Panel	01 Set	03 Set	02 Set	01 Set

Order Subject To Availability



● Glass Sliding Solution / S.S. 304



● Glass Parking System (S.S.304)



DF-PS-L1
Lower door strip (single latch)



DF-PS-U2
Upper door strip/shaft sleeve



DF-PS-U3
Upper door strip/mailer



DF-PS-L4
Lower door strip (double pins)



DF-PS-L5
Lower door strip (side bolt + jack)



DF-PS-L6
Lower door strip (surface bolt + jack)



DF-PS-L7
Lower door strip (side bolt+latch)



DF-PS-L8
Lower door strip (surface bolt+side bolt)



DF-PS-T11
Track



DF-PS-T12
Track - (T Shape)



DF-PS-T13
Track - (Elbow)

● Glass Sliding Solution / S.S. 304



● Shower Glass Sliding System - 051 (S.S.304)



DF-SGSF-051Set
(S.S.304)



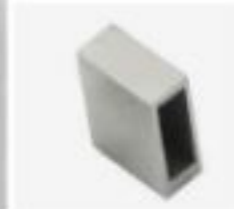
DF-SGSF-051
(S.S.304)



DF-SGSF-052
(S.S.304)



DF-SGSF-053
(S.S.304)



DF-SGSF-054
(S.S.304)



DF-SGSF-055
(S.S.304)



DF-SL-11
(S.S.304)



DF-SGH-03
(S.S.304)

● Glass Sliding Solution / S.S. 304



● Shower Glass Sliding System - 085 (S.S.304)



DF-SGSF-085 Set
(S.S.304)



DF-SGSF-085
(S.S.304)



DF-SGSF-086
(S.S.304)



DF-SGSF-087
(S.S.304)



DF-SGSF-055
(S.S.304)



DF-SL-11
(S.S.304)



DF-SGH-03
(S.S.304)

● Glass Sliding Solution / S.S. 304



● Swift Glass Sliding Fitting - 022 (S.S.304)



DF-SGF-022
(S.S.304)



DF-SGF-023
(S.S.304)



DF-SGF-024
(S.S.304)



DF-SGF-025
(S.S.304)



DF-SGF-026 R
(S.S.304)



DF-SGF-026 L
(S.S.304)



DF-SGF-027
(S.S.304)



DF-SGF-028
(S.S.304)



DF-SGF-029
(S.S.304)



DF-SGF-030
(S.S.304)



DF-SL-11
(S.S.304)



DF-SGH-03
(S.S.304)

● Glass Sliding Solution / S.S. 304



● Glass Sliding Fitting



DF-SGF-011
(S.S.304)



DF-SGF-011 A
(S.S.304)



DF-SGF-011 B
(S.S.304)



DF-SGF-011 C
(S.S.304)



DF-SGF-012 (AN) DF-SGF-013 (AN) DF-SGF-014 (AN) DF-GSF-034 A (SS/PS) DF-GSF-034 B (SS/PS) DF-GSF-034 C (SS/PS)



DF-GSF-034 D (SS/PS) DF-SLD-055 (AN) DF-SGF-015 (SS/PS) DF-SGF-016 (Hbr) DF-SGF-017 (Hbr)

Glass Sliding Door Handles



DF-SGH-01 (SS/PS) DF-SGH-02 (SS/PS) DF-SGH-03 (SS/PS) DF-SGH-04 (SS/PS)

DF-SGH-05 (SS/PS) DF-SGH-06 (SS/PS)

Sliding Glass Handle S.S.304/316

Sliding Glass Door Locks



DF-SGHL-521 (SS) DF-SGHL-522 (SS) DF-SGHL-523 (SS) DF-SGHL-524 (SS)

DF-SGHL-525 (AN) DF-SGHL-525 S (AN)

Sliding Glass Handle Lock

Glass Door Locks (Without Cutout)



Glass Door Lock

DF-GL-01 (SS) DF-GL-01A (SS) DF-GL-02 (SS) DF-GL-03 (SS)

Automatic Sensor Door's System



FEATURES

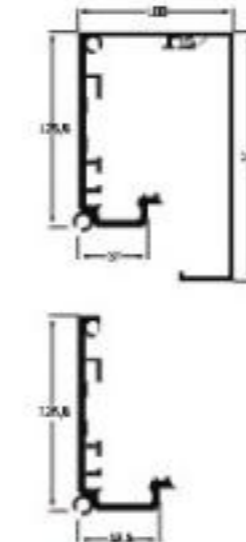
- High Efficiency Permanent Magnet Brushless Servo Motor
 - Ensure high Torque, Enabling High Speed And Capable Of Driving Higher Door Weights.
 - Lower Energy Consumption And Zero Maintenance.
 - Highest Precision Level Achieved.
- Direct Driving reduction Gear
 - Ensure Low Noise.
 - Upgrade Driving Efficiency After Deducting Pulley belt
- Alloy, Heat Treated Steel Gear
 - Hrc Hardness Up To 420
 - Long life Cycle (2 Million) With Standing high Torsion moment In Startup And Reduction Of Running Noise.



Concealed Aluminum

Concealed Stainless

Surface-mounted



	Concealed Aluminum	Concealed Stainless	Surface-mounted
Model		HEAD-130 DC	
Engine Case Structure		Aluminum case	
Opening Speed		45 cm / sec / leaf	
Closing Speed		12 - 45 cm / sec / leaf (adjustable)	
Slow Speed		3 - 6 cm / sec / leaf (adjustable)	
Driving Belt		Timing - belt - 15mm - 10mm width	
Driving Block		Permanent magnet brushless servo motor and direct drive single gear box	
Motor Power		Power Rating	45 W
		Starting Power	180 W
Weight Of Door		120 kg (**150 kg)	80 kg * 2 (**120 kg * 2)
Length Of Frame		4.2m	
Hanger Roller		618 Engineering plastic * 2 wheels (Balance mechanism, Self-centering mechanism)	
Hold Opening Force		0.5 - 20 Sec (adj) (stable)	
Manual Opening Force		Press by low push force	
Temperature Range		-30C - 60C	
Auto Reverse		Only in the normal speed area, Not in the slow down area	
Multi Function		Breakout (Swing open), Side screen safety, Battery low and fire system connectable (Optional)	
Additional Function		Door lock and UPS (Optional)	



• Glass Point Fittings



• Glass Point Fittings



DF-PF-01 (SSS/PSS) Size : 60x82,103mm



DF-PF-07 (SSS/PSS) Non Regtable

• Wooden Door Fittings



DF-RH-34 (SSS/PSS) Round Pipe

Wooden Door Fittings



Mortise Handle
S.S.304 (19mm)

DF-ESRH-01
(SS/PSS) Round Pipe

DF-ESRH-02
(SS/PSS) Round Pipe

DF-ESRH-03
(SS/PSS) Round Pipe

DF-ESRH-04
(SS/PSS) Round Pipe

DF-ESRH-16
(SS/PSS) Round Pipe

Wooden Door Fittings



Key Hole
S.S.304

DF-RHKH-01
(SS/PSS)

DF-RHKH-02
(SS/PSS)

DF-RHKH-03
(SS/PSS)

Wooden Door Fittings



Mortise Lock
S.S.

DF-ML-100
(SS)

DF-ML-200
(SS)

DF-ML-300
(SS)

DF-ML-400
(SS)

DF-ML-500
(SS)

Order Subject To Availability

Wooden Door Fittings



Euro Profile Cylinders
Brass

DF-OSK
(Brushed Nickel Antique Brass)
Size : 60/70/80/90/100mm

DF-BSK
(Brushed Nickel Antique Brass)
Size : 60/70/80/90/100mm

DF-CS
(Brushed Nickel Antique Brass)
Size : 60/70/80mm

DF-HCY-KNOB
(Brushed Nickel Antique Brass)
Size : 40mm

DF-HCY-KEY
(Brushed Nickel Antique Brass)
Size : 40mm

Wooden Door Fittings



Wooden Sliding
System - S.S.

DF-SLD-053
(SS)

DF-SLD-054
(SS)

DF-SLD-055
(W/L)

DF-SLD-057
(White)

Wooden Door Accessories



Tower Bolts
S.S.

CODE	FINISH	SIZE
DF-TBE-04	SS	4"
DF-TBE-06	SS	6"
DF-TBE-08	SS	8"
DF-TBE-10	SS	10"
DF-TBE-12	SS	12"
DF-TBE-18	SS	18"

CODE	FINISH	SIZE
DF-TBQ-04	SS	4"
DF-TBQ-06	SS	6"
DF-TBQ-08	SS	8"
DF-TBQ-10	SS	10"
DF-TBQ-12	SS	12"

Wooden Door Accessories



Ball Bearing Hinges
S.S. 304

CODE	FINISH	SIZE
DF-BBH-04	SS	4"
DF-BBH-05	SS	5"

Order Subject To Availability

Wooden Door Accessories



Wooden Door Accessories



DF-DE-01
(SS/PSS)



DF-D5-01
(SS/PSS)



DF-D5-02
(SS/PSS)



DF-D5-03
(SS/PSS)



DF-DC-01
(SS/PSS)

Signage Plate



Signage Plate
S.S. 304 (120x120x1.5mm)



DF-SNP-01
(SS)



DF-SNP-02
(SS)



DF-SNP-03
(SS)



DF-SNP-04
(SS)



DF-SNP-05
(SS)



DF-SNP-06
(SS)



DF-SNP-07
(SS)



DF-SNP-08
(SS)



DF-SNP-09
(SS)



DF-SNP-10
(SS)



DF-SNP-11
(SS)



DF-SNP-12
(SS)



DF-SNP-13
(SS)



DF-SNP-14
(SS)



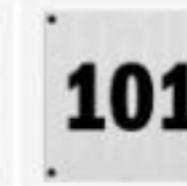
DF-SNP-15
(SS)



DF-SNP-16
(SS)



DF-SNP-17
(SS)



DF-SNP-18
(SS)

Wooden Door Fittings



Door Closer
Alu. body



DC-100
(Silver)
Weight Capacity : 40 kg



DC-200
(Silver)
Weight Capacity : 75 kg



DC-300
(Silver)
Weight Capacity : 75 kg



DC-400
(Silver)
Weight Capacity : 60 kg



DC-800
(Silver)
Weight Capacity : 40 kg



DC-OHPA
(Silver)
Weight Capacity : 40 kg

Wooden Door Fittings



Concealed Door Closer
Alu. body



DC-500
(Silver)
Weight Capacity : 40 kg



DC-600
(Silver)
Weight Capacity : 100 kg



DC-700
(Silver)
Weight Capacity : 75 kg

Baluster Railing



Baluster Railing
S.S.304



DF-BL-003
(SS/PSS)



DF-BL-005
(SS/PSS)



DF-BL-006
(SS/PSS)



DF-BL-009
(SS/PSS)



DF-BL-011
(SS/PSS)



DF-BL-013
(SS/PSS)



DF-BL-014
(SS/PSS)



DF-BL-015
(SS/PSS)



DF-BL-016
(SS/PSS)



DF-BL-017
(SS/PSS)

Other Customize Railing Models Are Acceptable



● Railing Accessories



● Baluster Accessories
S.S.304



DF-BL-ACC-01 A
(SS-PS)



DF-BL-ACC-01 B
(SS-PS)



DF-BL-ACC-01 C
(SS-PS)



DF-BL-ACC-02 A
(SS-PS)



DF-BL-ACC-02 B
(SS-PS)



DF-BL-ACC-02 C
(SS-PS)



DF-BL-ACC-03 A
(SS-PS)



DF-BL-ACC-03 B
(SS-PS)



DF-BL-ACC-04
(SS-PS)



DF-BL-ACC-05
(SS-PS)



DF-BL-ACC-06
(SS-PS)



DF-BL-ACC-07
(SS-PS)



DF-BL-ACC-09
(SS-PS)



DF-BL-ACC-10
(SS-PS)



DF-BL-ACC-10 A
(SS-PS)



DF-BL-ACC-11
(SS-PS)



DF-BL-ACC-12
(SS-PS)



DF-BL-ACC-13
(SS-PS)



DF-BL-ACC-14 A
(SS-PS)



DF-BL-ACC-14 B
(SS-PS)



DF-BL-ACC-14 C
(SS-PS)



DF-BL-ACC-15 A
(SS-PS)



DF-BL-ACC-15 B
(SS-PS)



DF-BL-ACC-15 C
(SS-PS)



DF-BL-ACC-16 A
(SS-PS)



DF-BL-ACC-16 B
(SS-PS)

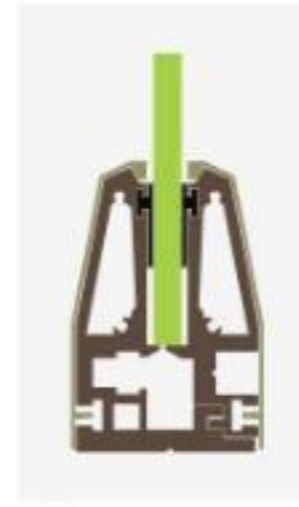


DF-BL-ACC-16 C
(SS-PS)



DF-BL-ACC-17
(SS-PS)

● Aluminum Glass Railing Profile



DF-ALRL-01

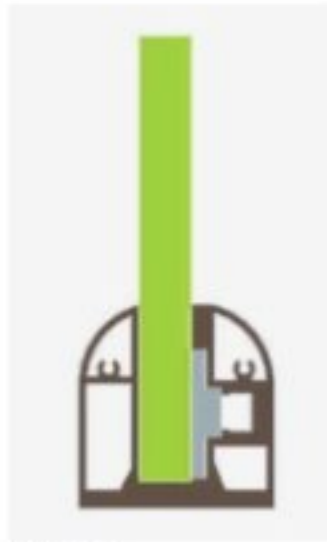


DF-ALRL-02

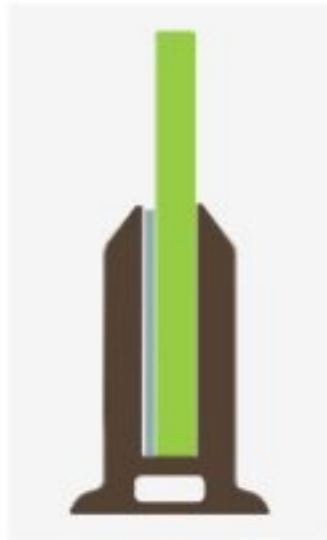


DF-ALRL-03
(Silver Anodized &
Chrompan Finish 5x/12)





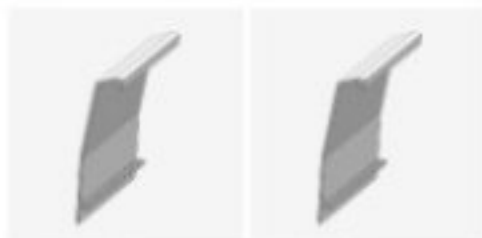
DF-ALRL-04
(Silver Anodized & Champagne Finish SG/CG)



DF-ALRL-05
(Silver Anodized & Champagne Finish SG/CG)



• **Cover Profile**



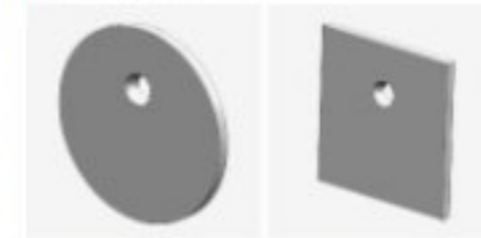
DF-ALCPR-01 (SG/CG) **DF-ALCPR-02** (SG/CG)

• **Hand Rail**



DF-ALHR-01 (SG/CG) **DF-ALHR-02** (SG/CG) **DF-ALHR-05** (Chrome)

• **End Cap For hand Rail**



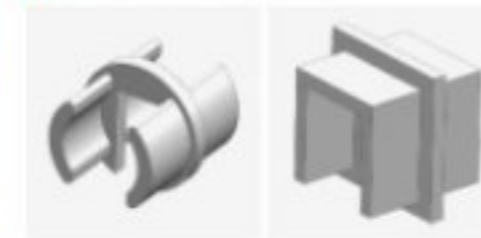
DF-ALECH-01 (Chrome) **DF-ALECH-02** (Chrome)

• **Corner Elbow For hand Rail**



DF-ALCEH-01 (SG/CG) **DF-ALCEH-02** (SG/CG)

• **Rib Sleeve For Hand Rail**



DF-ALRSH-01 (SG/CG) **DF-ALRSH-02** (SG/CG)

• **End Cap For Base Rail**



DF-ALECBR-01 (Chrome) **DF-ALECBR-02** (Chrome)

• **Wall Concealed For Hand Rail**



DF-ALWCH-01 (Chrome) **DF-ALWCH-02** (Chrome)

• **Glass Glazing Profile S.S.**



DF-LGP-092 (Alu)

